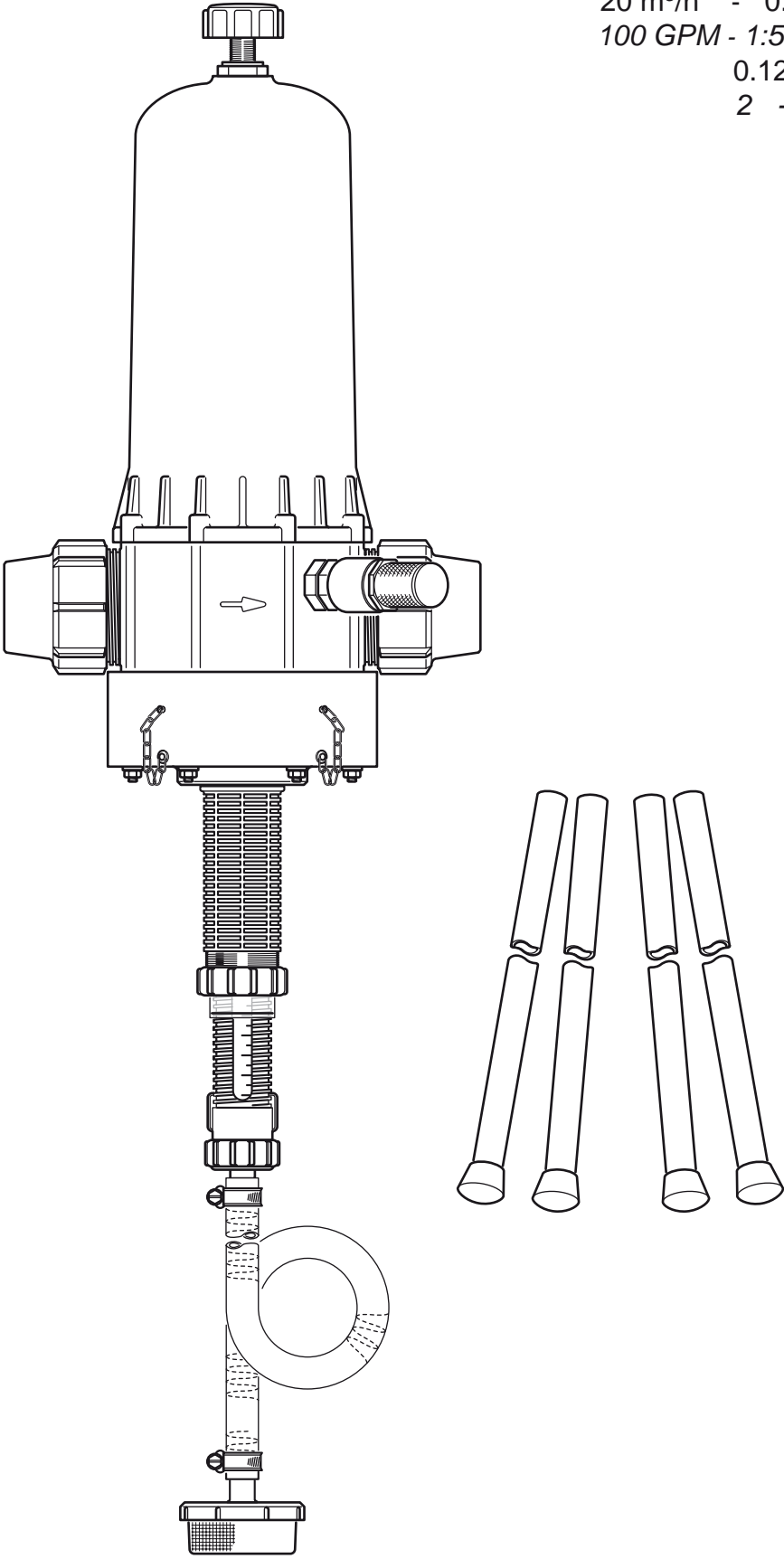


D20S

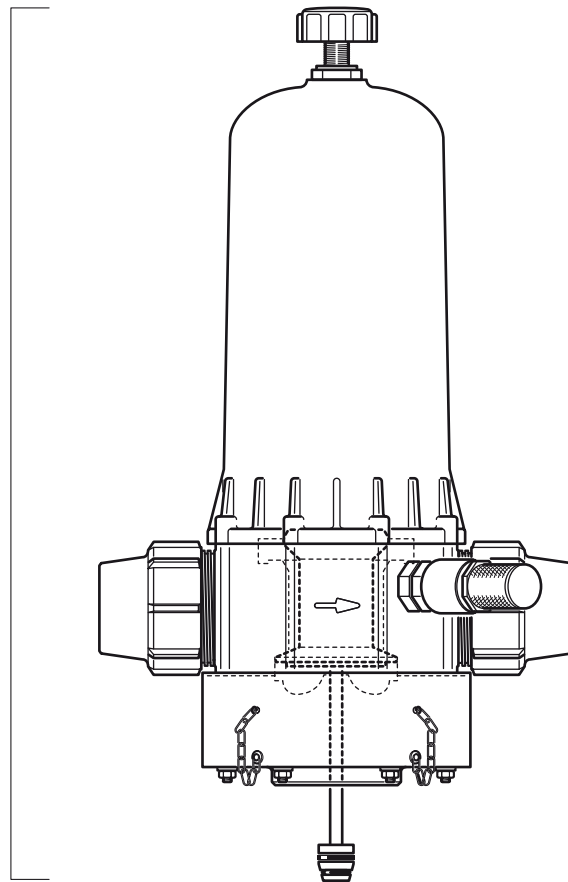
20 m³/h - 0.2 - 2%
100 GPM - 1:500 - 1:50
0.12 - 10 bar
2 - 120 psi



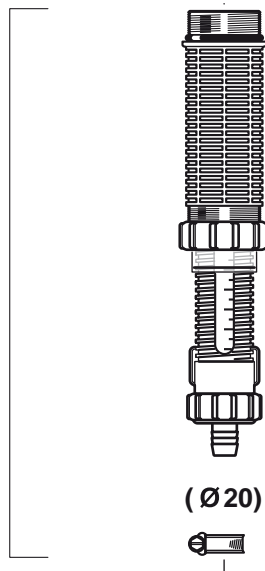
D20S

20 m³/h - 0.2 - 2%
100 GPM - 1:500 - 1:50
0.12 - 10 bar
2 - 120 psi

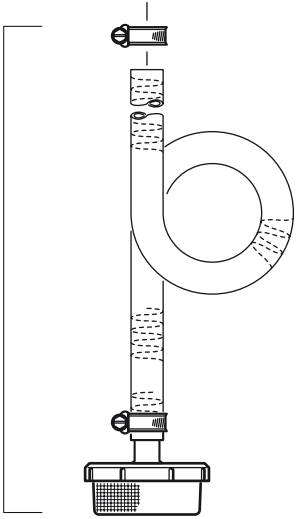
C+M



D

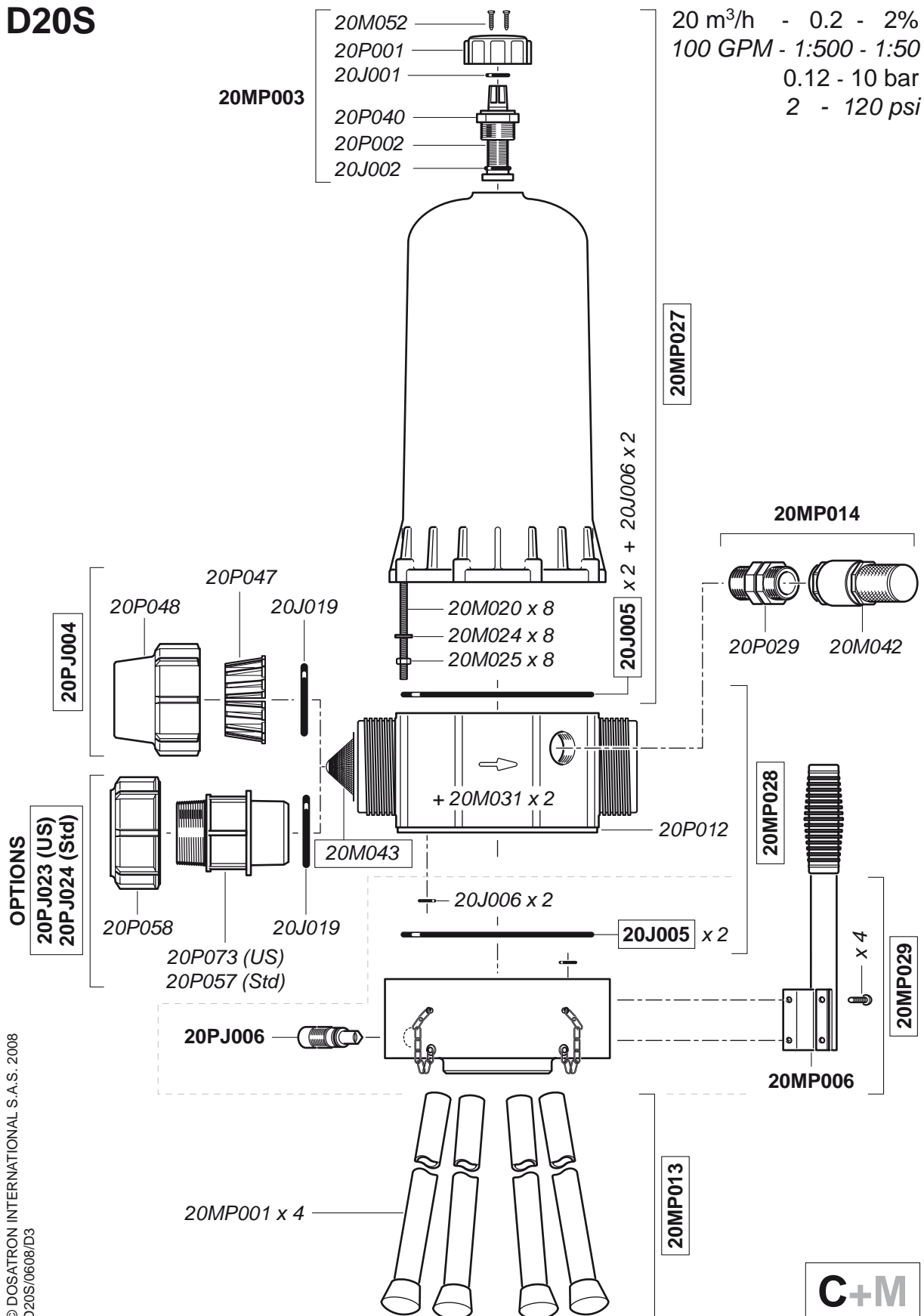


A



D20S

20 m³/h - 0.2 - 2%
 100 GPM - 1:500 - 1:50
 0.12 - 10 bar
 2 - 120 psi



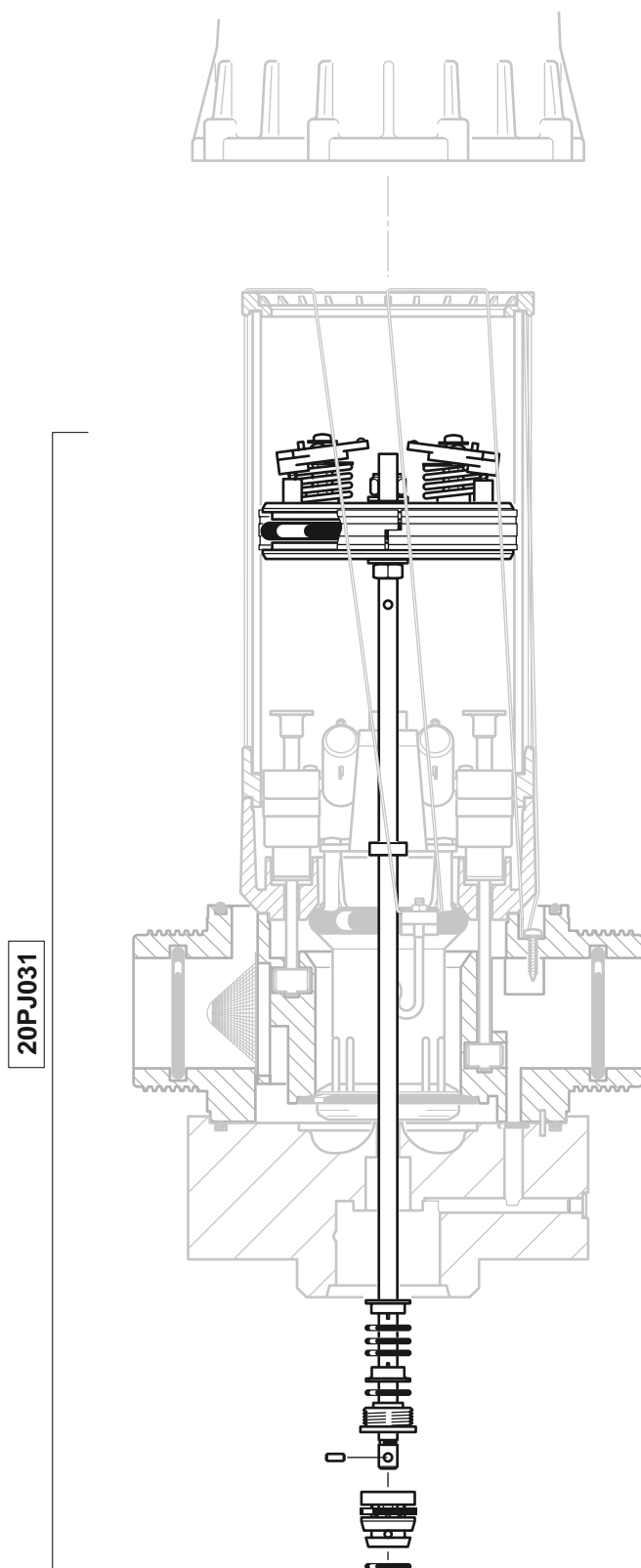
OPTIONS
 20PJ023 (US)
 20PJ024 (Std)

© DOSATRON INTERNATIONAL S.A.S. 2008
 D20S/0608/D3



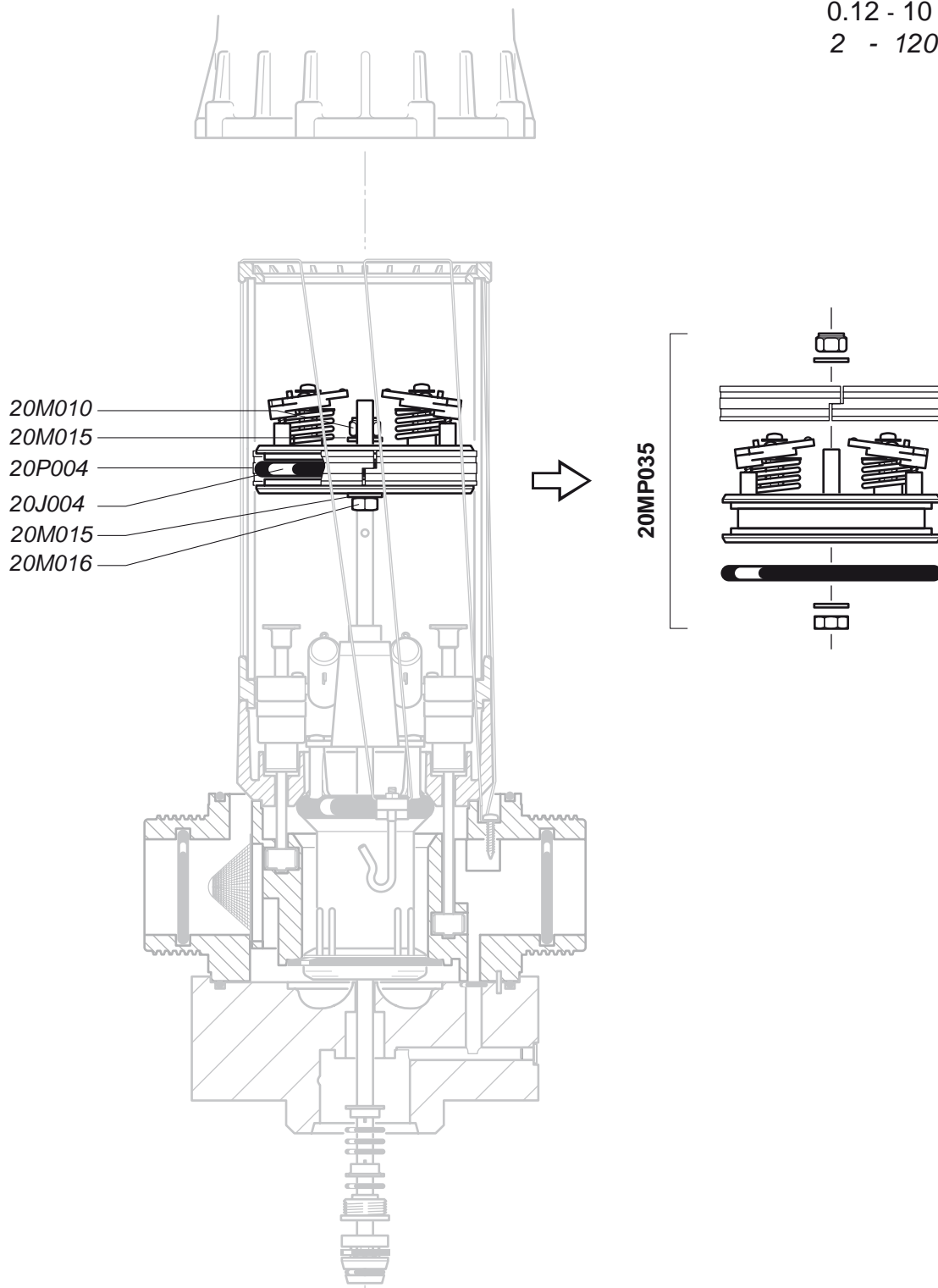
D20S

20 m³/h - 0.2 - 2%
100 GPM - 1:500 - 1:50
0.12 - 10 bar
2 - 120 psi



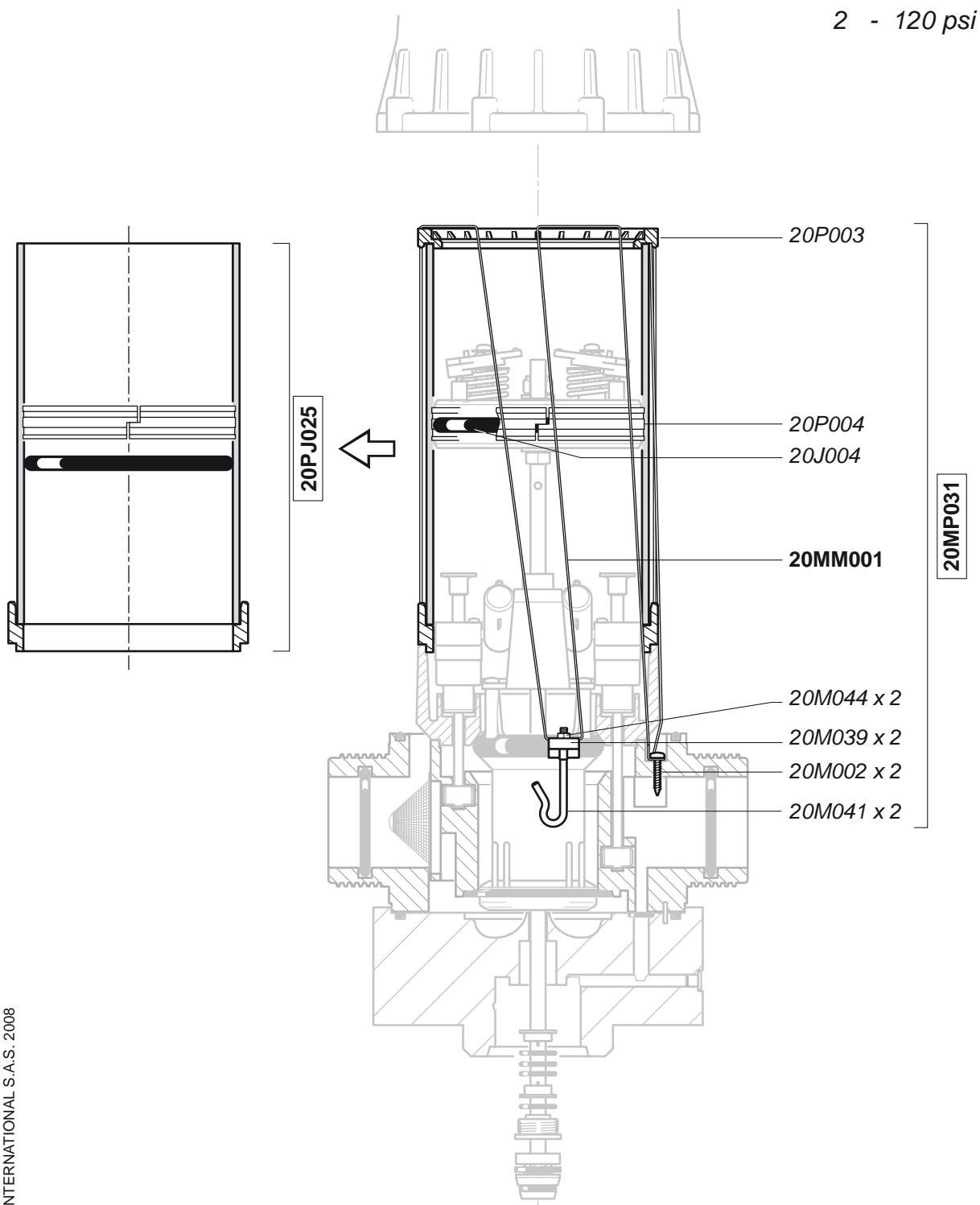
D20S

20 m³/h - 0.2 - 2%
100 GPM - 1:500 - 1:50
0.12 - 10 bar
2 - 120 psi



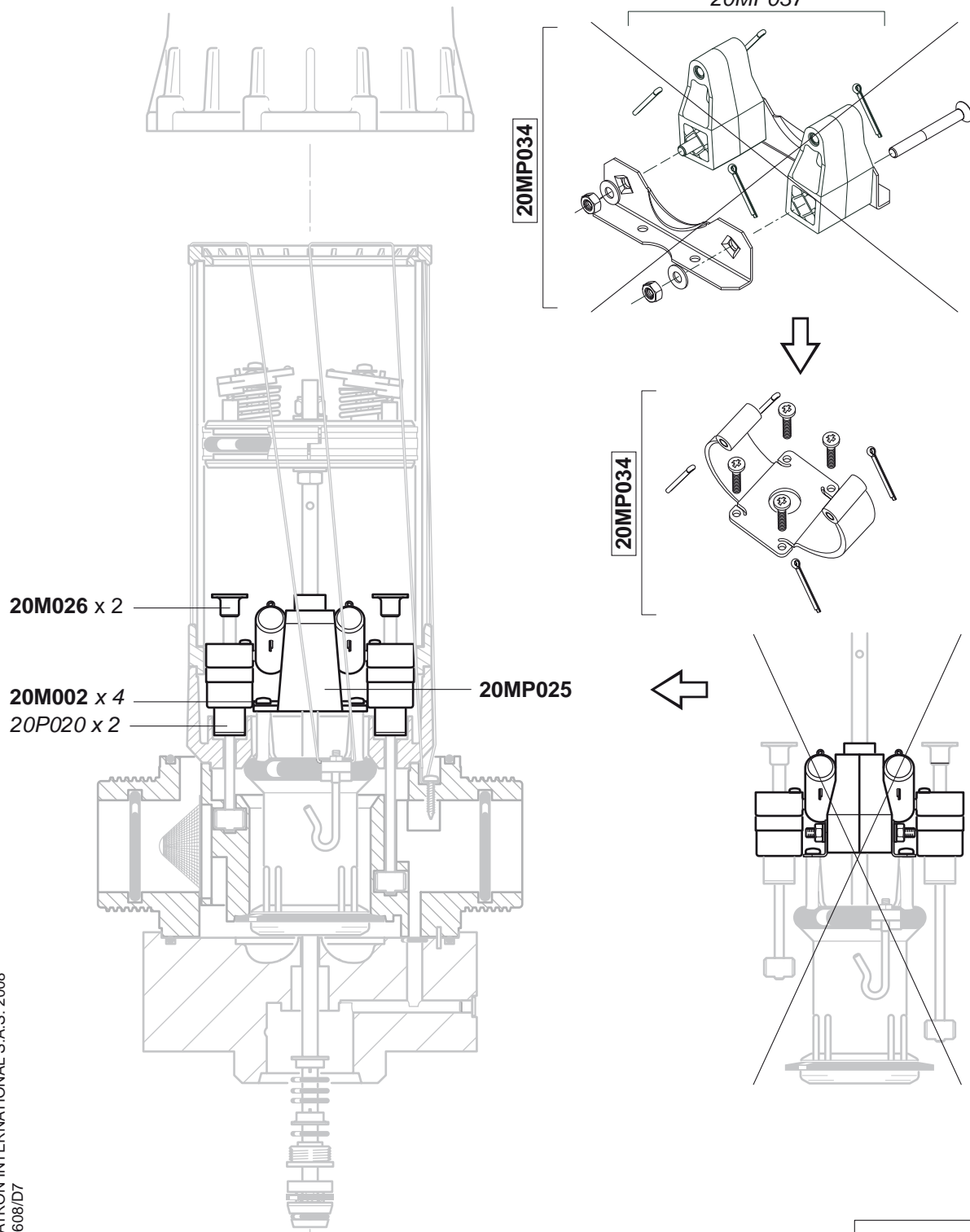
D20S

20 m³/h - 0.2 - 2%
100 GPM - 1:500 - 1:50
0.12 - 10 bar
2 - 120 psi



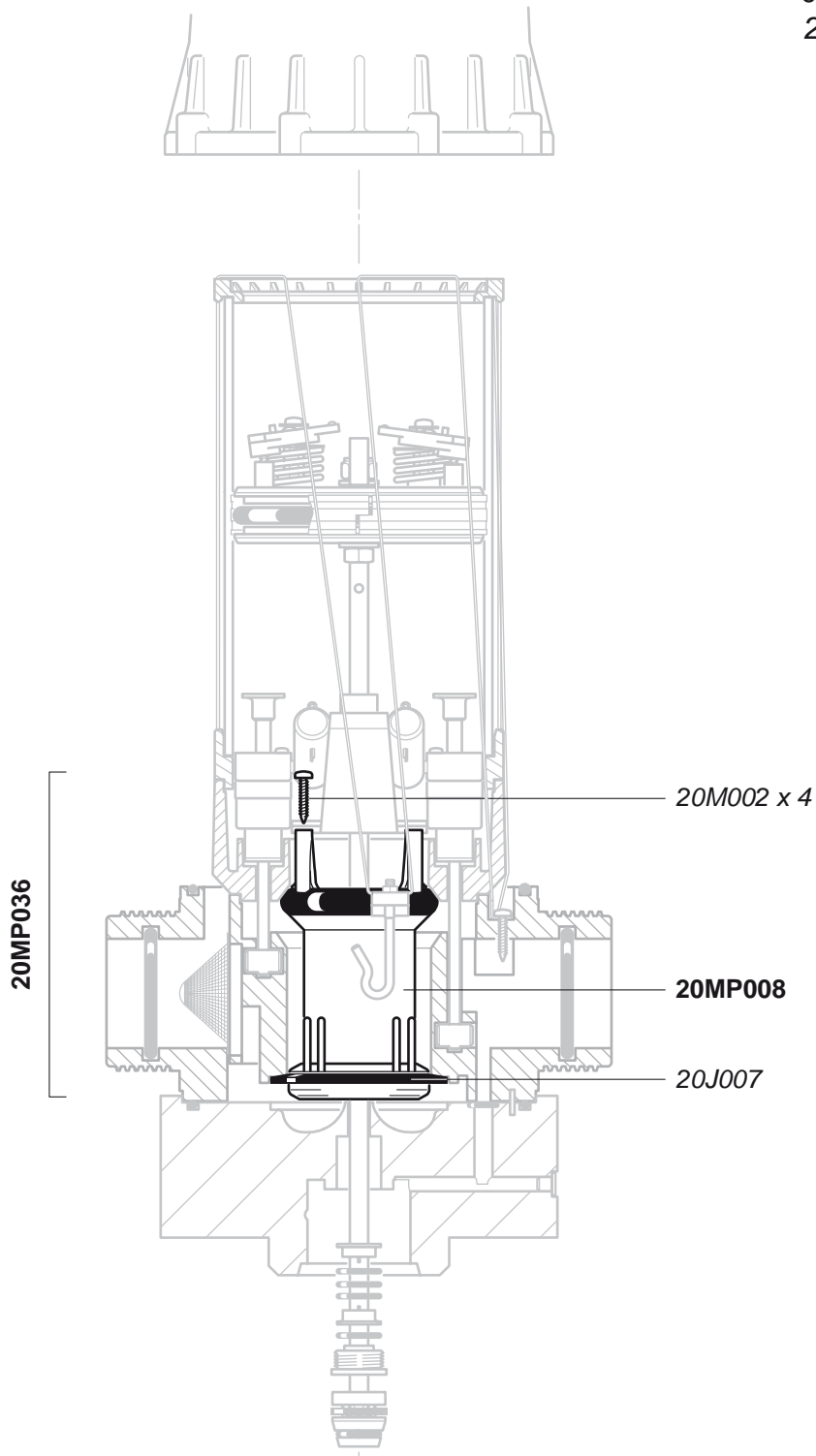
D20S

20 m³/h - 0.2 - 2%
 100 GPM - 1:500 - 1:50
 0.12 - 10 bar
 2 - 120 psi



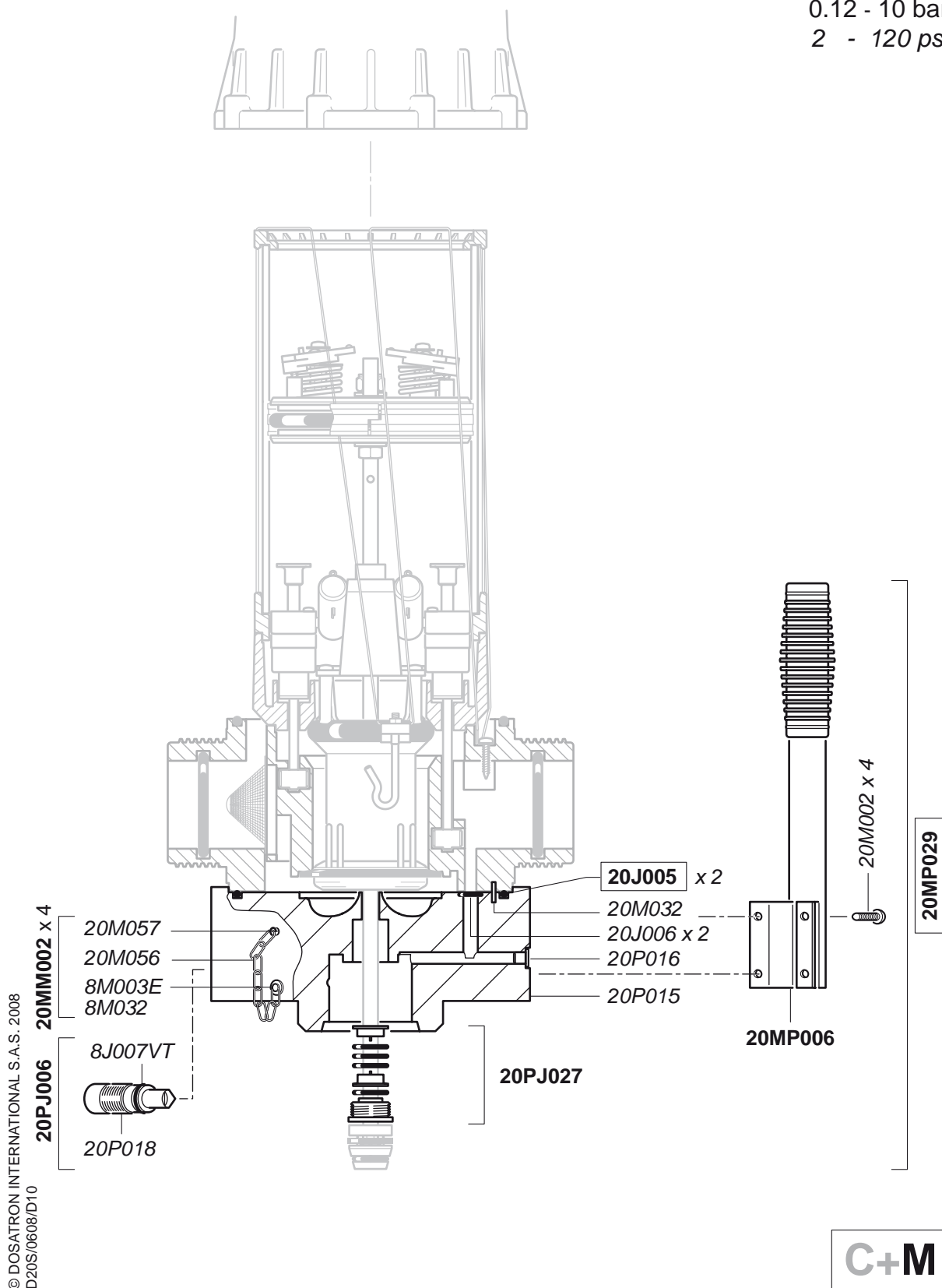
D20S

20 m³/h - 0.2 - 2%
100 GPM - 1:500 - 1:50
0.12 - 10 bar
2 - 120 psi



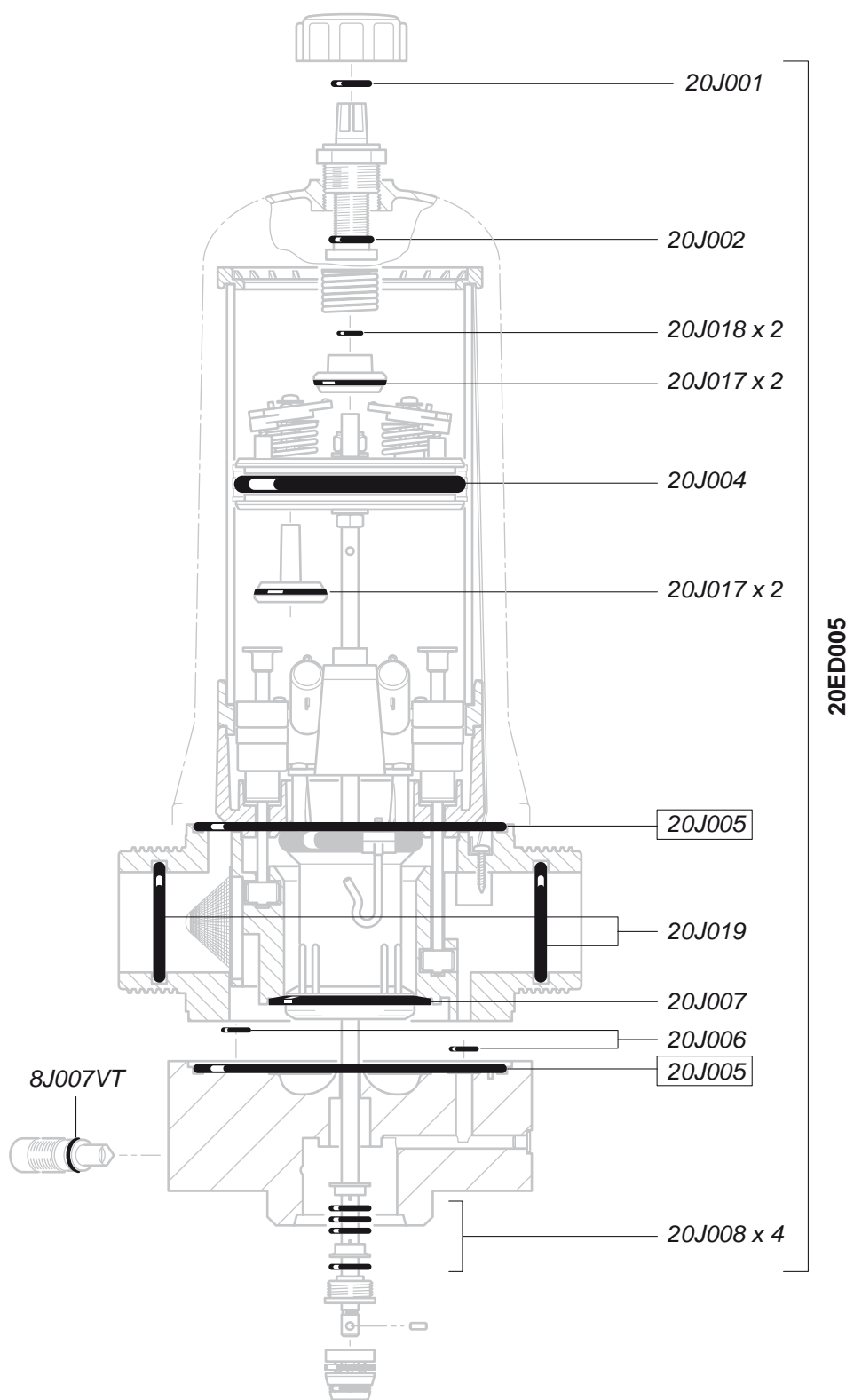
D20S

20 m³/h - 0.2 - 2%
 100 GPM - 1:500 - 1:50
 0.12 - 10 bar
 2 - 120 psi



D20S

20 m³/h - 0.2 - 2%
 100 GPM - 1:500 - 1:50
 0.12 - 10 bar
 2 - 120 psi



© DOSATRON INTERNATIONAL S.A.S. 2008
 D20S/0608/D12

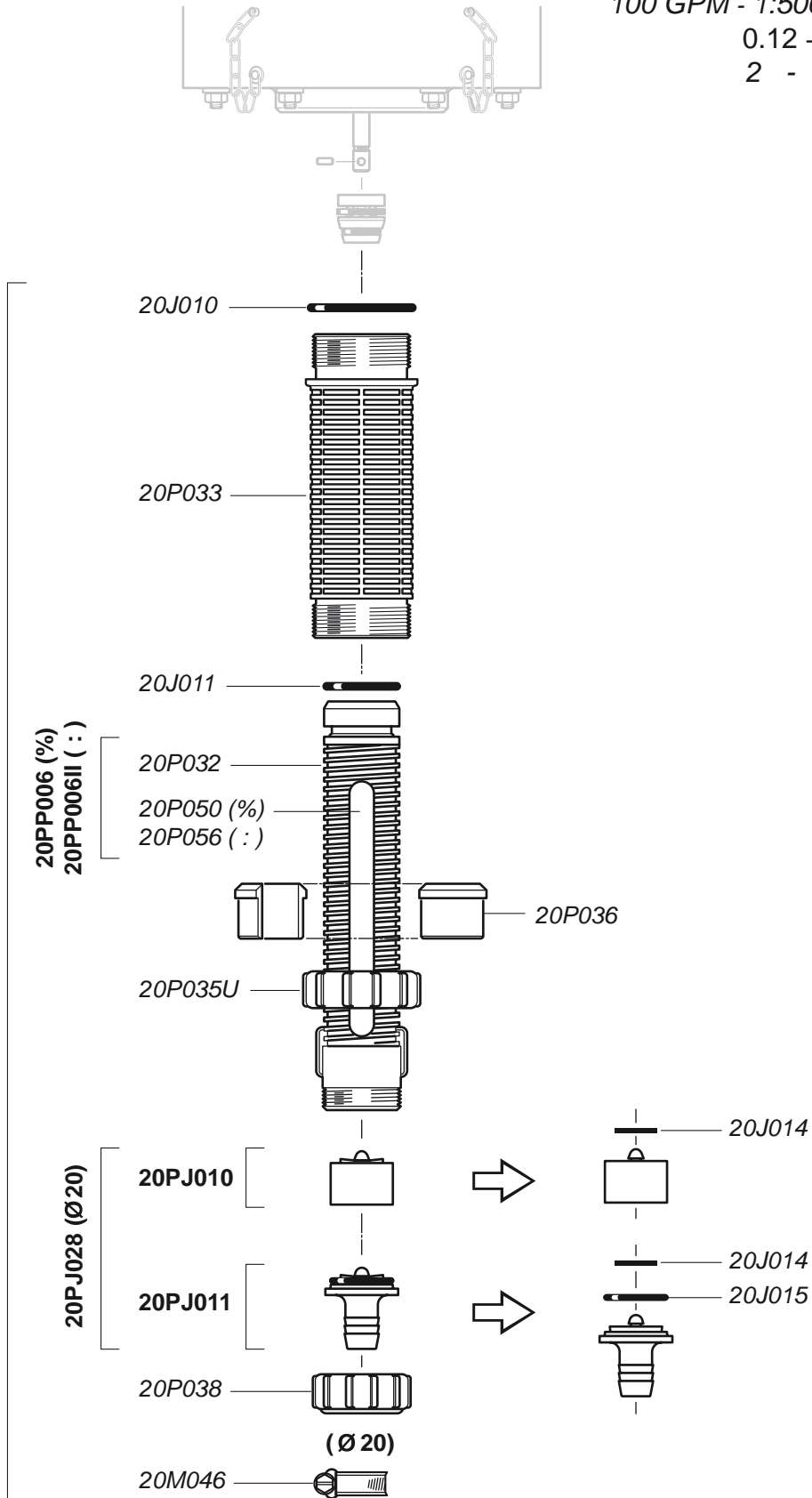


D20S

20 m³/h - 0.2 - 2%
 100 GPM - 1:500 - 1:50
 0.12 - 10 bar
 2 - 120 psi

© DOSATRON INTERNATIONAL S.A.S. 2008
 D20S/0608/D13

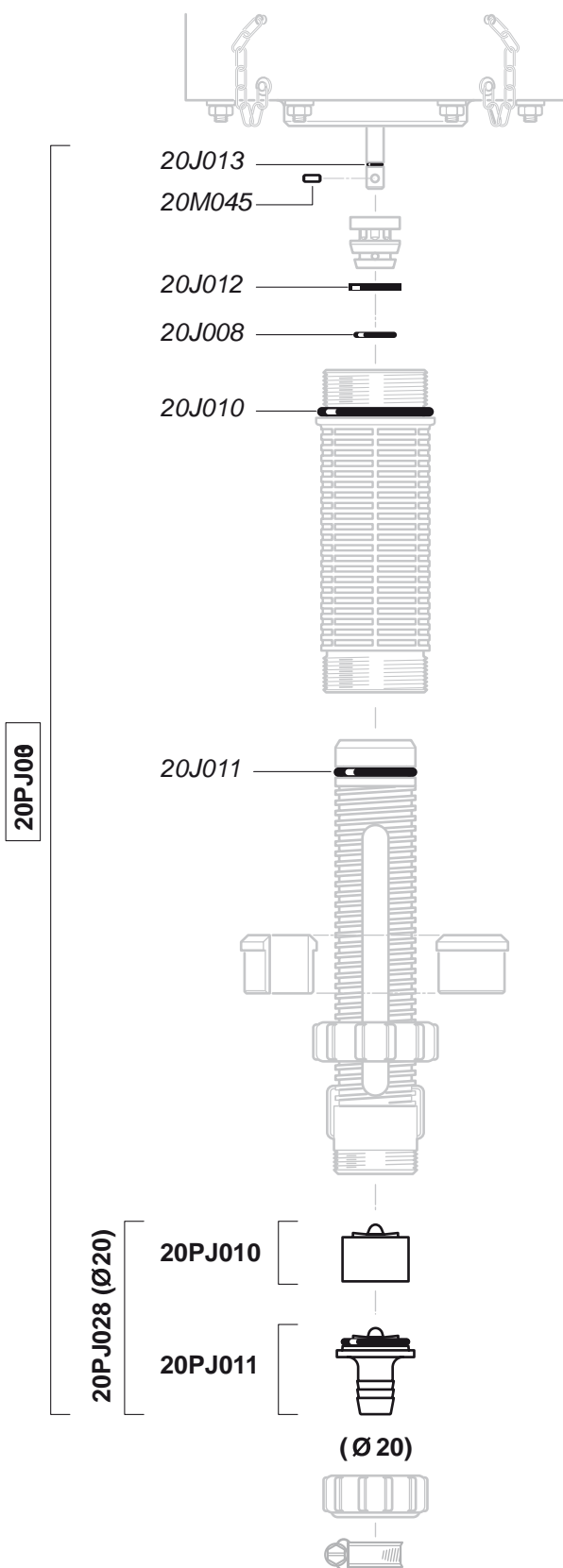
20CD001 (Eur)
 20CD001II (US)



D

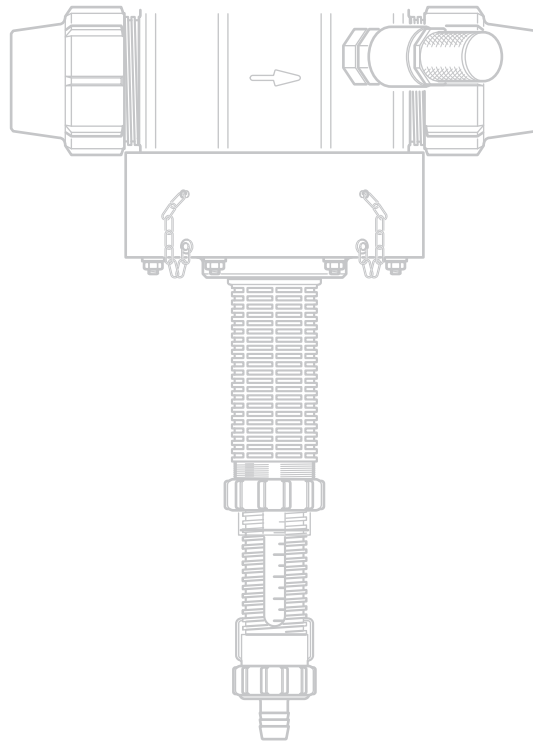
D20S

20 m³/h - 0.2 - 2%
 100 GPM - 1:500 - 1:50
 0.12 - 10 bar
 2 - 120 psi



D20S

20 m³/h - 0.2 - 2%
100 GPM - 1:500 - 1:50
0.12 - 10 bar
2 - 120 psi



(Ø 20)

